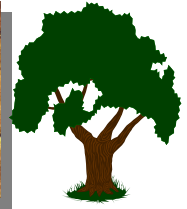


# Flitch 'n Chips



Issue NO. 184

October 2012

## Presidents Report

*For October 2012*



Hi fellow Woodies,

First up, welcome to our new members. Our club membership continues to grow with more ladies joining our ranks of late. Please make them feel welcome and give them any help you can. It was good to see one of our long distance members, Barry Braithwaite, from Roma visiting the shed on Saturday. Barry has only recently been able to move back into his homestead after being flooded out. We hope you have a less eventful year in 2013, Barry. To anyone not feeling the best, get well soon.

Unfortunately I have to report that we were unsuccessful in our application for a grant to purchase a dingo and also unsuccessful for a grant for solar panels. Oh well, back to the drawing board.

The construction of the doors for the Maleny Community Centre is well and truly in full swing. I would like to mention the outstanding dedication by the members who have given up their Mondays to work incredibly hard on the doors.

The camaraderie is incredible. Special mention also to our lady members who have been unable to work on the construction of the doors but who have contributed by other means. Ardyn has crafted six beautiful pens from offcuts of the doors as memento of the project, Julie has made delightful quiche and cheese-cake and Elizabeth her delicious fruit cakes to feed the inner man. Thank you ladies and gentlemen.

The Holland mill is performing extremely well but we need a few more willing volunteers on Saturday mornings to try and reduce the amount of logs so we will have room to erect the marquee for the club Christmas party.

Ivan's wood turning courses are progressing well, names on the board if you would like to join the next course. Warne's router course and joints courses will start very soon. Several Saturday morning demos including pyrography, sanding and finishing plus a ten minute refresher session on our machinery will be held over the coming

months. Anyone who would like to contribute by way of a demonstration, please see Lionel so he can finalises the dates.

Shortly we will be starting a question and answer column in our Fitch and Chips so please direct questions to Laurie [lhsmith@bigpond.com] who will source the answer from the most appropriate person. Also, anyone who has any helpful hints they've come across to make wood-working easier please let Laurie know so it can be included in our 'hints column'

To help with catering, if you plan on joining us at our Christmas party at the shed on December 15th can you please let Dave Edmonds know numbers so we can get the ordering under way.

Keep the wood pile low and the shavings high.

Happy woodworking

Frank McDonald

## New Members

No.	Name	No.	Name
505	Ann Adams of Montville	507	Vicki Shuley of Maleny
506	Ben Adams of Montville	508	Caroline Odgers of Palmwoods

Please make yourself known to these new members when you see them at the club.

Official Newsletter of Blackall Range Woodcrafter's Guild Inc. PO Box 150 Montville 4560  
Web site : [www.blackallrangewoodies.org.au](http://www.blackallrangewoodies.org.au) Email: [newsletter.brwg@gmail.com](mailto:newsletter.brwg@gmail.com) Shed Phone: 0409 050 418

# Timber Report

by John Holland

On Thursday the kiln was unloaded and Silky Oak and African Mahogany slabs were placed in the timber racks. Silky Oak and Ficus species were loaded in, so we should have an adequate supply of timber in the near future.

Tallow wood planks in 30mm and 55mm have been placed in the outside racks under the trees for air drying.

We have decided to cut slabs only on the bandsaw as this gives us a greater usable width towards the

centre of the log. The slabs are then cut to a straight line with the Makita saw and paralleled on the 12 inch rip saw. By doing this, any faults in the slabs can be cut out prior to ripping. One other advantage is that timber can be turned off the slabbing bandsaw more quickly.

After unloading the kiln, there were some thick slabs which Peter Simpson and I docked into squares, then cut into round turning blanks, and immediately end checked to prevent cracking. Maybe the turners could

organise a working bee to make more blanks, as described above, and stack them for future use.

The racks out the back require a concerted effort to sort out and straighten up the timber in them, as it is nearly impossible to find any quantity of similar wood in one place. Perhaps the slabs should be ripped into usable planks, sorted and restacked.

At the moment, we have an over-supply of logs in the yard, so please, no more.

# Maintenance Report

by Brian Harris

**19/9** Bench Grinder - New 200mm aluminium oxide grinding wheel fitted to Grinder.

Trimmer - Broken wire close to plug was causing intermittent running. New wire and plug fitted.

**29/9** The air suction pipework has been fitted to accommodate the 15" Thicknesser when it is moved to its

new position.

**5/10** Belt Sander - New belt has been fitted.

Disc Sander - New sanding disc fitted.

**6/10** Jet Dust Filter - Motor has been rewound and the whole unit again hangs from the roof but this

time it is working.

15" Thicknesser - This machine has been moved to a permanent position close to the 20" Thicknesser. Please be sure to open the air suction valve before use.

**13/10** Another Jet Dust Filter has been identified as not working, this will be repaired in due course.

# Safety Notes

by Warne Wilson and Dave Bannister

## Back to basics.

1. Always switch off and pull the plug to make any adjustments to a power tool. This is a safety rule so obvious that it is easy to forget.

2. Never plug a power tool in and switch on without ensuring that the switch on the power tool is off. (A runaway router is a dangerous animal!)

3. Many of us are getting older and though we don't admit it, bone density loss is a fact of life. A show of bravado when doing heavy lifting can result in damage.

4. Wear ear and eye protection when operating any power tool or machine. Even though the new spiral cutters are quieter, the decibels emitted are still in the hearing damage range.

5. When operating a saw bench stand to one side out of the line of the blade. In some instances a piece of wood has been known become a projectile. This also applies when starting a new piece in a lathe. Stand to one side and start the lathe in "Slow" then tighten the live centre a little more before increasing speed.

# Questions and Answers

by Warne Wilson

**A member asks: "How do I sharpen a twist drill bit?"**

**Warne:** Very easily, if you do this:

1. Understand that a drill bit is a cutting tool and it must have a pair of sharp edges that have clearance behind them called the "Rake" similar to a wood lathe scraper.

2. Use eye protection. Start the grinder and firmly hold the drill bit in both hands at a slight upward

angle a millimetre or two away from the rotating stone. Line up one cutting edge horizontally.

3. Gently touch the cutting edge to the stone to grind the rake.

4. Wait until little sparks appear on the cutting edge then sweep it gently but still grinding, up and away from the stone in one fluid motion. This will ensure a good rake and clearance behind the cutting edge.

5. Keeping the drill bit at the same angle but away from the stone, rotate it to present the other cutting edge horizontally then repeat the above.

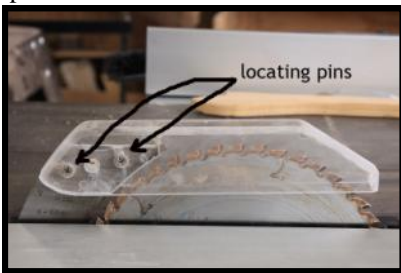
If you are in any doubt about this description ask Warne to show you when you see him, or the shed captain of the day will be able to help you.

# Saw Safety

by John Holland

## Hammer Saw Guard Danger

Due to the fact that we have had two near misses recently, I feel that all accredited members become familiar with removal & re-attachment of the guard. Part of their training should include the proviso that the saw be wound up to full height, the blade returned to 90 degrees, if moved, and the guard securely attached in accordance with the directions attached to the post at the end of the saw.



Refer displayed instructions:  
(Copied here)

## Removal and refitting of hammer saw guard

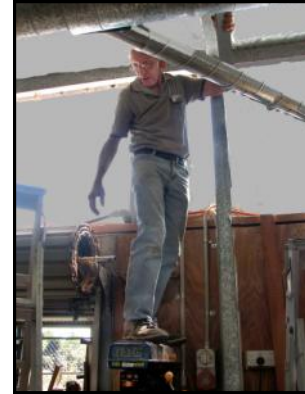
**Danger:** Prior to either of these procedures being carried out, make sure that the saw is completely stopped. If the guard drops onto the running blade it will be thrown back with considerable force and injury may occur.

**Removal:** Lift the back of the guard to approximately 45° so that the rear pin clears the slot. Push the guard forward horizontally, still holding at the same angle, until the front pin is free of the riving knife.

**Replacement:** Holding the guard at 45°, slide the front pin into the front slot of the riving knife to its full depth. Push the guard down to horizontal. Make certain that the rear pin engages the slot to its full depth.

**Note:** Before and after use of the saw, check that the guard is securely seated as described above.

A guard has now been fitted to the Rexon 12" table saw also.



John can also give advice on the GMC drill press ladder!!

## Courses

### Freeform Box Making Course

A course on making freeform boxes will be held in the near future. Numbers will be limited to 4 per course & cost will be \$20. Preferably participants will be accredited on the 1/8" bandsaw but this is not essential. The course will be held afternoons in the shed. Please ring Lionel Tilley on 5429 6629 to get more details.



### Basic Wood Lathe Course

Ivan Yaksich has two basic wood turning courses running concurrently two days a week at the moment. Upon completion Ivan plans to follow these up with advanced turning lessons. Watch the notice board for starting dates.



### Basic Wood Joints Course.

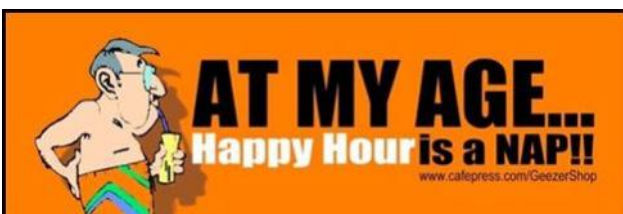
Warne Wilson is starting the above course this Saturday, 20th October.

If any members are interested in joining this course please enter your name on the list on the notice board or call Warne on 54999974

The course fee will be \$20 to cover costs.



## Senior Citizen Bumper Stickers



## A Few Reminders

**Shed Captains** are reminded to close the shed as per the "Shutdown Check List" situated beside the front door. Shed Captains are also responsible for the organisation of the timber racks.

**Membership** is well over due so un-financial members wishing to continue with the club are urged to update their status immediately.

A **General Meeting** is scheduled for November and members are urged to put forward their thoughts on what they would like to see happen in the club

## A Member's Memories

by **Glen Cameron**

I had called in to see my mother at the old family home in Brisbane. My older brother was still living there at the time and in his spare time undertaking a woodworking project in the workshop underneath the house. He had been at it for some weeks working at my Grandfather's bench using amongst other tools, the smoothing plane seemed to be prominent. Not being one to

clean up after he had finished for the day, the workshop was becoming deep in plane shavings. My mother told the story. "Have you seen the mess your brother has been making in the workshop?" "Well, yes I have" I replied. "Well" she said "It had just got too much for me. He wouldn't clean it up so I went down there the other day while he was at work and

cleaned the whole place out. Over dinner when he had been home for some time, I asked him "Have you been in the workshop this afternoon?" "Yes" he said, and said no more. (Man of very few words my brother) "Well, did you notice anything different?" "Yeah the bench is a bit higher"

## Letters to the Editor

### LEGACY BADGE APPEAL

Garth Bowes, on behalf of the Sunshine Coast Legacy Group, would like to thank members of the Blackall Range Woodcrafters Guild for their support of the recent Legacy Appeal. The Appeal was considered very successful over the Sunshine Coast Area this year as Legacy relies on donations for the continuation of their work.

Garth would also like to thank the Guild for their donation of the Squatters Chair which will be raffled and drawn at the Legacy Remembrance Concert, to be held at the Wises Road Baptist Centre on Saturday 10<sup>th</sup> November.

Legacy is a non-profit organisation that has been supporting families of deceased Australian veterans since 1923 fulfilling a promise by servicemen in World War One to take care of widows and children of those who did not return.

On the Sunshine Coast, Legacy supports approximately 1600 widows and wards.

Thank you.

### ROSE MAHOGANY

Some of the Woodies want to buy a parcel of Rose Mahogany (*Dysoxylum fraserianum*) from a

deceased estate in Kilarney. This is a large hardwood found in northern NSW and southern Qld. The wood has been milled professionally in 25mm boards of varying widths and there was 75 mm & 100 mm squares available.

John Muller, Dave Southern and Brian McTaggart have used this wood and its qualities are a very fine even textured grain which will machine and sand to a very smooth finish. It works well with hand tools and carves extremely well. It has only one downside as a woodworking timber; it sometimes has a resin which will leach out after finishing: this can easily be fixed by wiping the finished surface with metho before applying any finish.

To go to Kilarney for a small quantity is just not viable and if other members are interested (@ \$3000.00) a cubic metre), could you contact John Muller on 5494 2723; 0418 871 946 or email [woodaddiction@gmail.com](mailto:woodaddiction@gmail.com). We would like to get a reasonable order together if possible.

Samples of the specie are available to view by contacting John Muller.

### AIRPORT SALES

Recently I approached the Maroochy Airport to see if we could display our product there. They persuaded me to photograph our products and pricing to sell to the gift shop at the airport on a wholesale basis.

I am now asking you, the members if you would like to do this. I believe we would need at least ten people. The club as a club cannot do this but you as individuals can. Talking to different members we came up with pricing ideas and they vary from person to person. It has been suggested that a labour cost of \$25 per hour plus the cost of the wood etc is a bench mark to guide us, which I am happy with. I will be submitting my stuff to sell and I am prepared to act as go between or whatever.

Please contact me if you are interested.

Hamish  
Ph 54457794  
Mobile 0408156268





# Maleny Community Centre Door Project



The doors are required for fitting at Maleny in early November. Working Bees has been scheduled for every Monday and Tuesday with the possibility that more may also be required. A very big thanks to those who regularly turn up and leave covered in cedar dust.

Members who attend to "Doors Project" working B's would like to thank Pat McDonald (Frank's wife) for providing such a great variety of lunch time sandwiches. Very much appreciated. Thanks Pat.



## Around the Shed



A new sign advertising our premises is taking shape and should be ready for mounting outside the shed very soon. Great job.



Toy making is on track to make many kids happy again this year. As well there are many interesting items for sale at our Santa Shop in December



## Tips

### Centre Square

Spend half an hour making a centre square and you will be able to find the centre of any bowl turning disc up to about 380mm in diameter.

1. An “L” shape with limbs 30mm wide is cut from a 150mm square piece of 10mm plywood on which the diagonal has been marked. As shown in Figure 1.
  2. A strip of hardwood 380mm x 25mm x 5mm is fixed to the diagonal by means of glue and two 12mm No 4 countersunk screws. As shown in Fig 2
- Screw No 1 should be inserted first and measurements “A” should be checked to be equal before inserting screw No 2.
3. Drill a hole in the end of the hardwood so it can be hung on the wall and give it a coat of varnish to make it look like another useful tool.
  4. For the most accurate results remember to draw lines across the disc at roughly right angles to each other.

### Dust Inhalation

Heard recently that rubbing vaseline on the inside of the nose will prevent dust from reaching the lungs..... this will be a great tip for those who attend the door working bees.

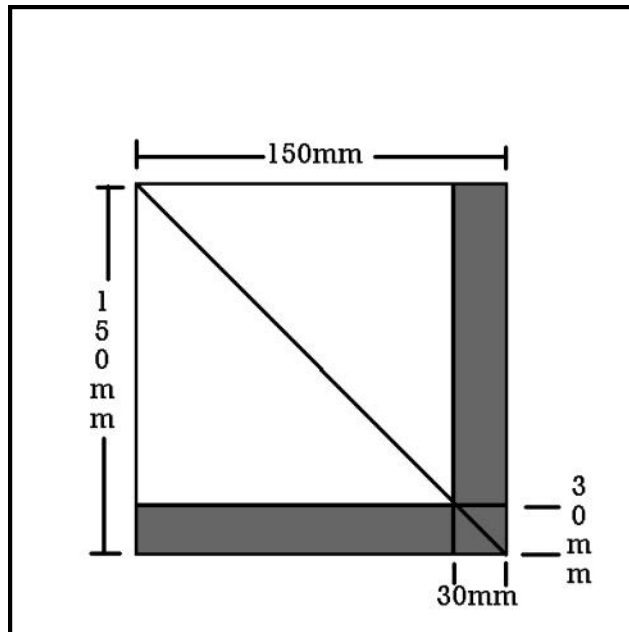


Figure 1

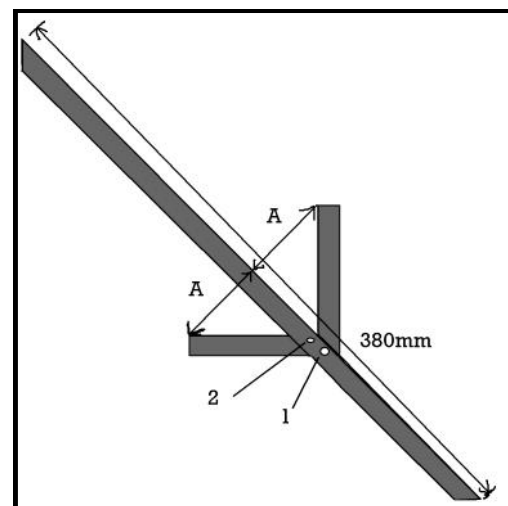


Figure 2

Any member wishing to include a helpful tip to this column or a question to be answered by long term Woodie and Life Member Warne Wilson please email the Editor at [lhsmith@bigpond.com](mailto:lhsmith@bigpond.com) with “BRWG” in the subject line.

## Final Honour

Three Aussies working on a telephone tower. Steve falls off and is killed instantly. As the body is taken away, Bruce says “Somebody should tell his wife”.

Jed says “OK I’m pretty good at sensitive stuff—I’ll do it”

Two hours later he comes back carrying a case of beer. Bruce says,

“Where did you get that, Jed?”

Steve’s wife gave it to me,” Jed replies.

“That’s unbelievable! You told the lady that her husband was dead and she gave you beer?”

“Well, not exactly,” Jed says.

“When she answered the door, I said to her, ‘You must be Steve’s

widow’.

She said, “No, I’m not a widow!”

And I said, “I’ll bet you a case of Foster’s you are.”



## Shed Times

Mondays	General Activities
Tuesdays (Quiet Day)	Turning & Carving
Wednesdays	General Workshop & Toys
Thursdays	Furniture & Joinery
Fridays	General Activities
Saturdays	General Activities & Demos

## Events

Santa Shop at St Mary Hall Montville	1-2 Dec
Christmas Party at the Shed	Sat 15 Dec

## Meetings

Meetings start at 9:00am. Quarterly General meetings are held on the second Saturday of November, February and May. Management Committee meetings are held on the second Saturday of all other months.

Next General Meeting November 10th

## Courses

Wood joints—20th October 2012  
Router—20th Jan 2013.  
Registration sheet on notice board

### Who's Who in BRWG Inc. 2011-2012

**Patrons: Peter Wellington MP, Andrew Powell MP and Cr Jenny McKay**

<b>President</b>	<b>Frank McDonald</b>	54352495
Vice President	John Muller	
Secretary	David Edmond	5478 6932
Assistant Secretary	Spike Bettega	
Treasurer	Keith Muirhead	
Assistant Treasurer	Hugh McKenna	
Newsletter Editors/ Website	Laurie Smith	5441 1983
	Dave Edmond	5478 6932
Publicity Officer	Ray Williams	5445 7212
Recruitment Officers	Dave Banister, Lionel Tilley, Tom Black, Jeff Harrison	
First Aid Officer	Andrew Eberhard	
Events Organiser	Rick Vickers	
Safety Officers	Dave Banister, Warne Wilson	
Activity Officers	Ray Curry, Cec Wakerley, John Drew, John Clarke, Warne Wilson, Dave Banister, Peter Simpson, Keith Muirhead, Brian Harris, Max Barrenger	
Shed Managers	John Holland, Brian Harris	
Amenity Officer	Hamish Borthwick	
House Officer	Hamish Borthwick	
Timber Management	John Holland, Frank McDonald, Ron Donald, Phil Gibson.	
Purchasing Officer	John Holland	
Training Officer	Lionel Tilley	
Librarian	Brian Holdsworth	

### Shed Captain Roster for October 2012 Frank McDonald every Friday

	Monday		Tuesday		Wednesday		Thursday		Saturday
1	Brian Harris	2	Frank McDonald	3	Hugh McKenna	4	Terry Crowson	6	Warne Wilson
8	Dave Banister	9	George Blowers	10	Leigh Boynton	11	John Drewe	13	Peter Simpson
15	Lionel Tilley	16	Tom Black	17	John Close	18	John Holland	20	Keith Muirhead
22	John Clarke	23	Ray Curry	24	Max Barrenger	25	Phil Krisanski	27	Graham Bradford
29	Brian Harris	30	Frank McDonald	31	Hugh McKenna				

### Shed Captain Roster for November 2012 Frank McDonald every Friday


	Monday		Tuesday		Wednesday		Thursday		Saturday
						1	Terry Crowson	3	Warne Wilson
5	Dave Banister	6	George Blowers	7	Leigh Boynton	8	John Drewe	10	Peter Simpson
12	Lionel Tilley	13	Tom Black	14	John Close	15	John Holland	17	Keith Muirhead
19	John Clarke	20	Ray Curry	21	Max Barrenger	22	Phil Krisanski	24	Graham Bradford
26	Brian Harris	27	Frank McDonald	28	Hugh McKenna	29	Terry Crowson		



**CAMPBELL'S**  
**UPHOLSTERY**  
 Phone: **5494 0133**  
 Fax: **5494 0133**  
**Gary & Cheryl Campbell**  
 • Camper Trailers • Vehicle Interiors  
 • Furniture Upholstery • Boat & 4WD Canopies  
 Unit 7 / 47 Beerwah Parade, Beerwah 4519 Queensland

**MALENY TIMBER PTY. LTD.**  
**CORAL STREET, MALENY 4552**  
**Phone 5494 4300**  
**Pine Ply Hardwood Mouldings**  
 10% discount to BRWCG

*Congratulations*  
 To the team at Spicers Clovelly Estate  
 for their 2 wins at the  
 Queensland Good Food Guide 2012 Awards  
 The Long Apron were proud winners of  
 Regional Restaurant of the Year  
 and awarded 2 Chefs hats  
  
  
 66 Balmoral Road, Montville, Sunshine Coast Hinterland T. 1300 272 887 [www.spicersgroup.com.au](http://www.spicersgroup.com.au)

Brent & Leanne Harris  
  
**caloundra Signs**  
*Excellence in Visual Identity*  
 p/f (07) 5492 5655  
 m 0418 838 499  
 e [calsigns@westnet.com.au](mailto:calsigns@westnet.com.au)

**ROGER LOUGHNAN**  
**REAL ESTATE**  
 136 Main Street  
 Montville  
**5478 5288**  
 7 DAYS  
 people who care  
**DON'T SIGN ANYTHING!**  
 Contact Roger Loughnan Real Estate  
 for the largest range of exclusively listed properties  
 on the Blackall Range from \$100,000 - \$2,000,000.  
 Actively supporting our community

**ALL ABRASIVES**  
**INDUSTRIAL ABRASIVES SUPPLIER**  
  
  
  
  
  
  
**DAVID BLACK**  
 PROPRIETOR  
 Phone: (07) 5443 9211  
 Phone: (07) 5443 9527  
 Mobile: 0413 945 798  
 Fax: (07) 5443 5714  
 4/20 Kayleigh Drive  
 Maroochydore Qld 4558

**MAPLETON HARDWARE**  
**Your handy hardware store**  
 Come in and see us for all your hardware needs  
 Hand tools, Sleepers, Power tools, Drill Bits, Paint and Stains  
 Plus Plumbing and General Hardware  
 Open 7 Days  
 Cnr Obi Obi road and Emu Walk  
 MAPLETON  
 Ph 5445 7773

  
  
  
**Flaxton Gardens**  
*Restaurant, Bar, Events ...*  
**Tranquil elegance in an area of natural beauty...**  
 Whatever your plans, whether it be a relaxed alfresco lunch on the terrace,  
 a delightful high tea on the veranda, a fine wine in the bar or enjoying quality  
 food using local produce in our Vineyard Restaurant, Flaxton Gardens  
 awaits your custom.  
**Views forever ... moments of a lifetime**  
 Flaxton Gardens is also an ideal venue for your next Sunshine Coast celebration  
 or Sunshine Coast wedding with seating for up to 160 guests in The Winery.  
 By day the views seem endless and by starlight it captures the coastline perfectly ...  
 ideal for wedding photography.  
**We look forward to welcoming you!**  
 Alan and Georgina Thompson,  
 Head Chef and Proprietor  
 OPEN 7 DAYS: Sunday & Monday 9am-4pm, Tuesday to Saturday 9am-9pm  
 Telephone: 07 5445 7450 | [info@flaxtongardens.com.au](mailto:info@flaxtongardens.com.au)  
 313 Flaxton Drive, Flaxton, Sunshine Coast Hinterland.  
[www.flaxtongardens.com.au](http://www.flaxtongardens.com.au)